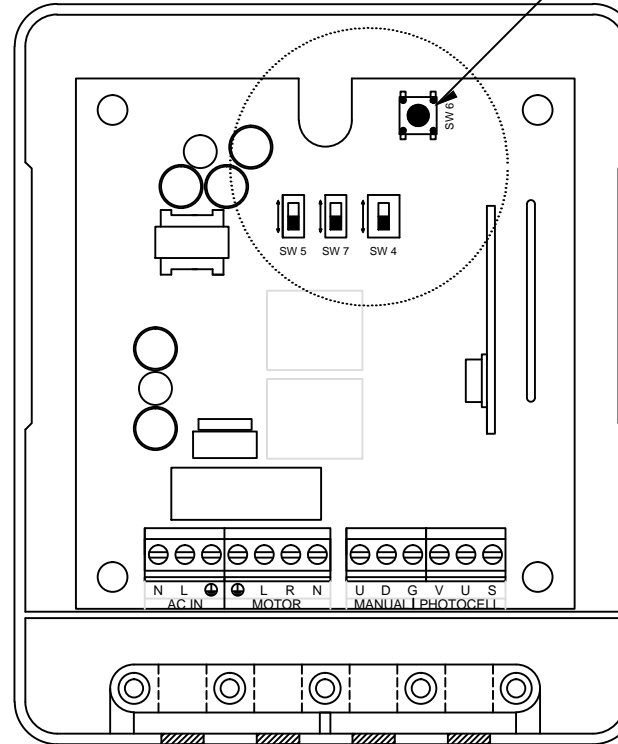


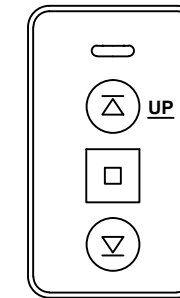
On	SW 4	Reverse Direction of Lid Buttons
	SW 5	Reverse Direction of Motor
Off	SW 6	Transmitter Program Button
	SW 7	On = Impulse Up / Deadman Down
	SW 7	Off = Impulse Up / Down



Specification	
Power Supply	200 - 240V AC, 50Hz
Operating Temp	-10 to + 55°C
Frequency	433MHz
Max Transmitters	100
Transmitter Distance	>30m
Max Power	500W

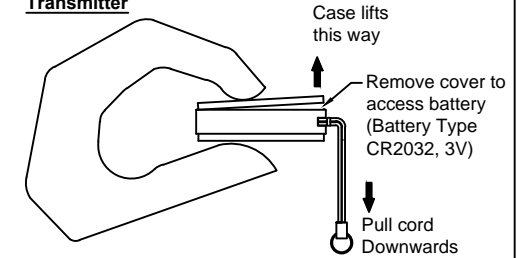
Transmitter

- Press program button SW6 until GREEN LED starts to flash then release
- Press **UP** button on transmitter device GREEN LED flashes quickly then goes out



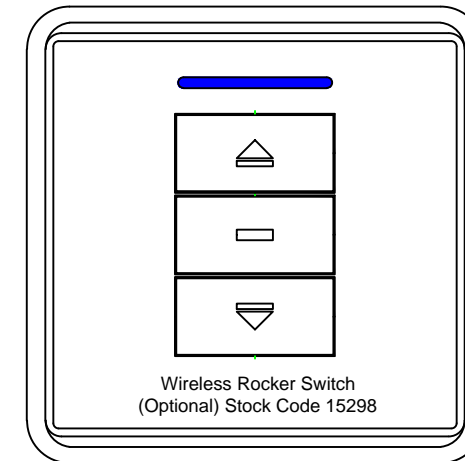
Standard Transmitter supplied with unit

Battery Replacement - Standard Transmitter

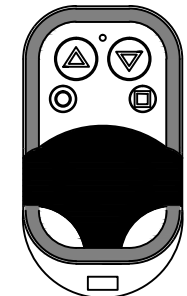


Deleting Receiver memory

- Press and hold Prog button SW6 - Green LED flashes slowly
- Continue to hold until (approx. 5 sec) Green LED flashes quickly then release
- Within 5 seconds press Prog Button SW6 once
- Green LED goes out
- Total erasure complete



Wireless Rocker Switch (Optional) Stock Code 15298



Alternative Transmitter (White and Silver) Stock Code 15264A

This drawing is the property of ELLARD LTD, it may not be reproduced without the written authorization of Ellard Limited. All intellectual property rights are expressly reserved

Revision Notes:



Tel: 0161 945 4561
Fax: 0161 945 4566

Ellard House
Floats Road
Roundthorn Industrial Estate
Wythenshawe, Manchester
M23 9WB

Title

GENERAL DETAIL, CONNECTION
AND SET UP
(Page 1 of 2)

Date 08/11/2018

Drawn by D. England

Chk'd by J. Monks

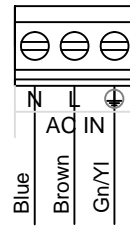
Drg # elec/GENESIS/misc/001(Rev 1)

Rev 1
Instructions amended to show standard supplied transmitter and battery change access to transmitter
21/01/2019

Terminal Connections

<u>Mains Supply</u>	
N	Mains Power 230v AC (Neutral)
L	Mains Power 230v AC (Live)
⊕	Mains Power (Earth)
<u>Motor</u>	
⊕	Motor Earth
L	Motor Direction
R	Motor Direction
N	Motor Common
<u>Manual</u>	
U	External connection - Open
D	External connection - Close
<u>Photocell</u>	
G	0V / Switch Common / Photocell Common
V	+24v dc
U	Photocell connection - N/C contact
S	External connection - Stop

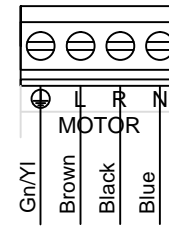
Mains Supply Connection



**Recommended Power Supply Protection:-
13A fused Spur or Single Pole MCB Type 'A'**

*Mains Supply
230v AC 50Hz*

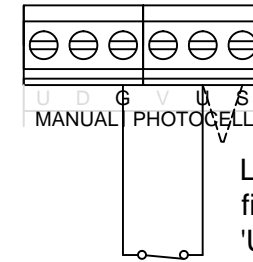
230v Tube Motor Connection



Note
This connection will supply **230v AC** and is specifically for tube motor operation

*Tube Motor
230v AC 50Hz*

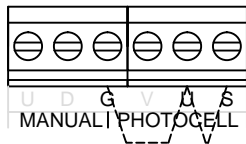
Basic Remote Control Operation With Safety Brake



Link must be fitted between: 'U' - S as shown

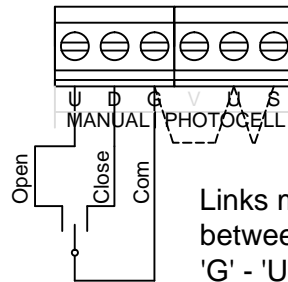
*Safety Brake (N/C)
Switch Connection*

Basic Remote Control Operation



Links must be fitted between: 'G' - 'U' - S as shown

Ext Key-Switch Connection

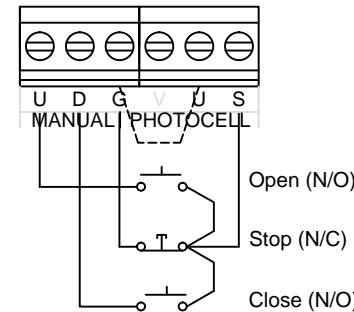


Fit link between 'G' and 'S'

Links must be fitted between: 'G' - 'U' - S as shown

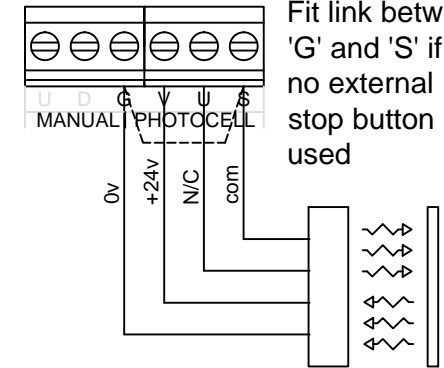
*External Key
Switch Connection*

Ext Push Button Connection



*External Key Push
Button Connection*

24v DC Photocell Connection



Fit link between 'G' and 'S' if no external stop button used

*24v dc Reflective
Photocell*

This drawing is the property of ELLARD LTD, it may not be reproduced without the written authorisation of Ellard Ltimited. All interlectual property rights are expressly reserved

Revision Notes:



Tel: 0161 945 4561
Fax: 0161 945 4566

Ellard House
Floats Road
Roundthorn Industrial Estate
Wythenshawe, Manchester
M23 9WB

Title

**GENERAL DETAIL, CONNECTION
AND SET UP
(Page 2 of 2)**

Date 08/11/2018

Drawn by D. England

Chk'd by J. Monks

Drg # elec/GENESIS/misc/001